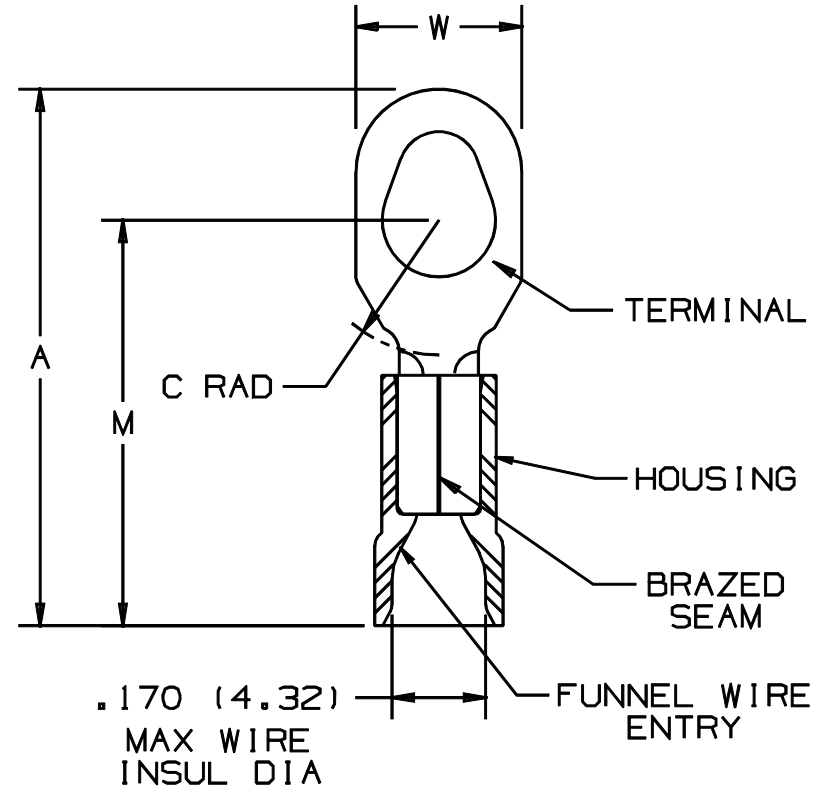


THIS COPY IS PROVIDED ON A RESTRICTED BASIS AND IS NOT TO BE USED IN ANY WAY DETRIMENTAL TO THE INTERESTS OF PANDUIT CORP.

PANDUIT PART NUMBER		STUD SIZE	DIMENSIONS in.			
PREFIX	PK		A $\pm .020$ (.51)	W $\pm .010$ (.25)	C $\pm .015$ (.38)	M $\pm .020$ (.51)
PV14-610R	-C -M	#6, #8, #10	1.00 (25.4)	.31 (7.9)	.25 (6.3)	.75 (19.0)



NOTES:

- UL LISTED AND CSA CERTIFIED FOR:
 - 600 V MAX VOLTAGE RATING
 - 221°F (105°C) MAX TEMP RATING
 - 167°F (75°C) MAX TEMP RATING WITH CT-100 TOOL
 - #16-14 AWG SOLID OR STRANDED, COPPER WIRE
- PACKAGE QUANTITY:
 - STD: C=100
 - BULK: M=1000
- MATERIAL:
 - STAMPING: .032 (.81) THK COPPER, TIN PLATED
 - HOUSING: BLUE VINYL
- WIRE STRIP LENGTH: $5/16 \begin{smallmatrix} +1/32 \\ -0 \end{smallmatrix}$ (7.9 $\begin{smallmatrix} +.8 \\ -0 \end{smallmatrix}$)
- DIMENSIONS IN BRACKETS ARE IN MILLIMETERS
- INSTALLATION TOOLS:
 - UL LISTED AND CSA CERTIFIED WITH: CT-100, CT-500*, CT-550*, CT-1551*, CT-1550*
 - PANDUIT APPROVED: CT-260, CT-400, CT-460, CT-160

* APPROVED FOR EXPANDED WIRE RANGE #18-14 AWG



LISTED
587H



CERTIFIED

A41479_03

03	1/01	RM		FILESPEC WAS N41479AA_PCD_02			
02		JKD		ADDED CT-1551, CT-1550 TOOLS	07634		
01	2/92	BK	RLS	UPDATED AGENCY APPROVAL STATUS	00846	LA	KS
00	4/91	DL	DL	RELEASED ECN # 00460		LA	KS
REV	DATE	BY	CHK	DESCRIPTION	ECN	CUST	PM

PANDUIT CORP.

TINLEY PARK, ILLINOIS

#16-14 BARREL, VINYL INSULATED
MULTI-STUD TERMINAL

DRAWN BY	DRL	CHK'D	FES	SCALE	NONE	DRAWING NO.	A41479
----------	-----	-------	-----	-------	------	-------------	--------